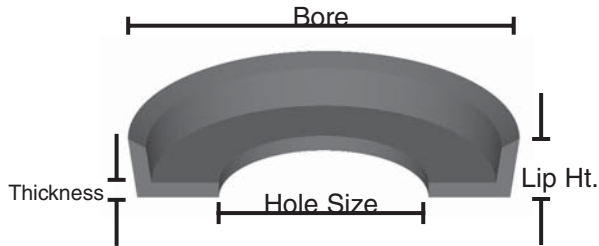


RUBBER CUPSEALS

NOTE: The cups are center punched if there is no hole size indicated.



CUPSEAL INFORMATION

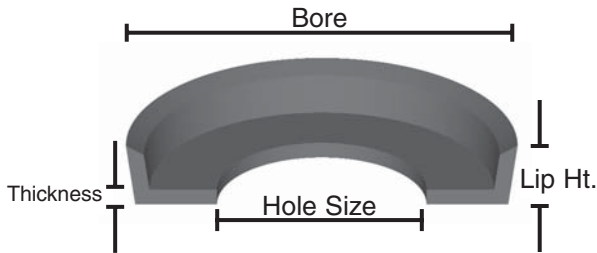
MATERIAL	BUNA-N RUBBER
TEMPERATURE RANGE	-40° TO +220° F
PRESSURE RANGE	0 TO 150 PSI
PART NUMBER	(Piston Cup Type)(Bore) - (Hole Size)

Part Number	Bore	Lip Ht.	Thick-ness	Hole Size	
6062	5/8	0.305	0.115	blank	
6075	3/4	5/16	3/32	blank	
6100	1	7/16	3/32	blank	
6100-037	1	7/16	3/32	3/8	
6125	1-1/4	1/2	1/8	blank	
6137	1-3/8	1/2	1/8	blank	
6150	1-1/2	1/2	1/8	blank	
6150-062	1-1/2	1/2	1/8	5/8	
6162	1-5/8	1/2	1/8	blank	
6175	1-3/4	1/2	1/8	blank	
6187	1-7/8	1/2	1/8	blank	
6200	2	1/2	1/8	blank	
6225	2-1/4	1/2	1/8	blank	
6237-050	2-3/8	1/2	1/8	1/2	
6237-100	2-3/8	1/2	1/8	1	
6250	2-1/2	1/2	1/8	blank	
6250-062	2-1/2	1/2	1/8	5/8	
6262	2-5/8	1/2	1/8	blank	
6275	2-3/4	1/2	1/8	blank	
6275-068	2-3/4	1/2	1/8	11/16	
6287	2-7/8	1/2	1/8	blank	
6300	3	5/8	5/32	blank	
6312	3-1/8	5/8	5/32	blank	
6325	3-1/4	5/8	5/32	blank	
6350	3-1/2	5/8	5/32	blank	

Part Number	Bore	Lip Ht.	Thick-ness	Hole Size	
6375	3-3/4	5/8	5/32	blank	
6400	4	5/8	5/32	blank	
6400-275-90D	4	5/8	5/32	2-3/4	
6425	4-1/4	5/8	5/32	blank	
6450	4-1/2	5/8	5/32	blank	
6475	4-3/4	5/8	5/32	blank	
6500	5	3/4	3/16	blank	
6500-075	5	3/4	3/16	3/4	
6550	5-1/2	3/4	3/16	blank	
6575	5-3/4	3/4	3/16	blank	
6600	6	3/4	3/16	blank	
6600-100	6	3/4	3/16	1	
6600-400-90D	6	3/4	3/16	4	
6610	6	1	3/16	blank	
6625	6-1/4	3/4	3/16	blank	
6650	6-1/2	3/4	3/16	blank	
6700	7	3/4	3/16	blank	
6750	7-1/2	7/8	3/16	blank	
6800	8	1	3/16	blank	
6800-525A-90D	8	3/4	3/16	5-1/4	
6900	9	1	3/16	blank	
61000	10	1	3/16	blank	
61200	12	1	3/16	blank	
61400	14	1	3/16	blank	

DC @ URETHANE CUPS95 @G

NOTE: The DC @ Urethane Cups are center punched



71 DSEAL INFORMATION	
MATERIAL	90 A URETHANE
TEMPERATURE RANGE	-65° TO +220° F
PRESSURE RANGE	0 TO 1,200 PSI
PART NUMBER	(Piston Cup Type)(Bore) - (Hole Size)

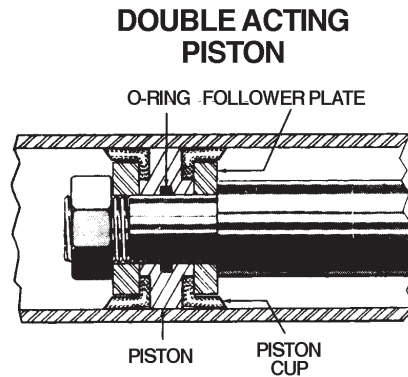
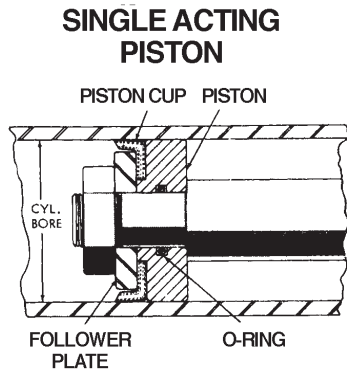
Part Number	Bore	Lip Ht.	Thick-ness	Hole Size
8050-000	1/2	1/4	3/32	blank
8100-000	1	1/2	1/8	blank
8150-000	1-1/2	1/2	1/8	blank
8175-000	1-3/4	1/2	1/8	blank
8275-000	2-3/4	5/8	3/16	blank
8300-000	3	5/8	3/16	blank
8325-000	3-1/4	5/8	3/16	blank
8337-000	3-3/8	5/8	3/16	blank

Part Number	Bore	Lip Ht.	Thick-ness	Hole Size
8350-000	3-1/2	5/8	3/16	blank
8400-000	4	5/8	3/16	blank
8450-000	4-1/2	5/8	3/16	blank
8500-000	5	5/8	3/16	blank
8550-000	5-1/2	3/4	3/16	blank
8600-000	6	3/4	3/16	blank
8650-000	6-1/2	3/4	3/16	blank

To obtain best results from any style of piston cup, it is recommended that the piston properly support the heel of the cup. Recommended diametral clearance between the piston and cylinder wall are as follows:

- 1" to 2-1/4" .005"
- 2-1/2" to 4-3/4" .008"
- 5" to 10" .010"

The following piston designs meet standard industry practices:



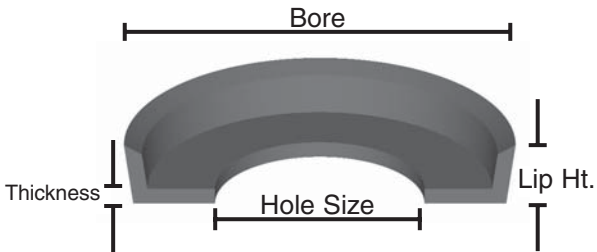
The height of the machined shoulder most frequently used to control squeeze on the heel of the cup is as follows:

- Cups 1/8" thick .116/.119"
- Cups 5/32" thick .146/.149"
- Cups 3/16" thick .178/.181"

The follower plate should be approximately .110" smaller than the I.D. of the cup. To reduce any tendency of the cup to extrude under pressure a phonograph finish may be machined on the surface of the follower plate.

FI 669F / FABF CUPS95 @G

Cups are constructed of rubberized fabric. Cups with no hole are center punched.



71 DSEAL INFORMATION

MATERIAL	COTTON FABRIC & RUBBER
TEMPERATURE RANGE	-35° TO +220° F
PRESSURE RANGE	0 TO 2,500 PSI
PART NUMBER	(Piston Cup Type)(Bore) - (Hole Size)

Part Number	Bore	Lip Ht.	Thick-ness	Hole Size
9062-000F	5/8	5/16	3/32	blank
9075-000F	3/4	7/16	3/32	blank
9087-000F	7/8	7/16	3/32	blank
9100-000F	1	7/16	3/32	blank
9100-025F	1	7/16	3/32	1/4
9100-037F	1	7/16	3/32	3/8
9100-050F	1	7/16	3/32	1/2
9112-000F	1-1/8	7/16	3/32	blank
9125-000F	1-1/4	7/16	3/32	blank
9125-037F	1-1/4	7/16	3/32	3/8
9137-000F	1-3/8	7/16	3/32	blank
9137-062F	1-3/8	7/16	3/32	5/8
9150-000F	1-1/2	1/2	1/8	blank
9150-037F	1-1/2	1/2	1/8	3/8
9150-062F	1-1/2	1/2	1/8	5/8
9162-000F	1-5/8	1/2	1/8	blank
9175-000F	1-3/4	1/2	1/8	blank
9175-062F	1-3/4	1/2	1/8	5/8
9175-069F	1-3/4	1/2	1/8	11/16
9187-000F	1-7/8	1/2	1/8	blank
9187-062F	1-7/8	1/2	1/8	5/8
9200-000F	2	1/2	1/8	blank
9200-037F	2	1/2	1/8	3/8
9200-050F	2	1/2	1/8	1/2
9200-062F	2	1/2	1/8	5/8
9200-100F	2	1/2	1/8	1
9212-000F	2-1/8	1/2	1/8	blank
9225-000F	2-1/4	1/2	1/8	blank
9225-075F	2-1/4	1/2	1/8	3/4
9225-100F	2-1/4	1/2	1/8	1

Part Number	Bore	Lip Ht.	Thick-ness	Hole Size
9237-000F	2-3/8	1/2	1/8	blank
9237-050F	2-3/8	1/2	1/8	1/2
9237-100F	2-3/8	1/2	1/8	1
9250-000F	2-1/2	1/2	1/8	blank
9250-037F	2-1/2	1/2	1/8	3/8
9250-062F	2-1/2	1/2	1/8	5/8
9250-075F	2-1/2	1/2	1/8	3/4
9250-100F	2-1/2	1/2	1/8	1
9250-125F	2-1/2	1/2	1/8	1-1/4
9250-137F	2-1/2	1/2	1/8	1-3/8
9262-000F	2-5/8	1/2	1/8	blank
9275-000F	2-3/4	1/2	1/8	blank
9275-075F	2-3/4	1/2	1/8	3/4
9275-100F	2-3/4	1/2	1/8	1
9275-150F	2-3/4	1/2	1/8	1-1/2
9287-000F	2-7/8	1/2	1/8	blank
9300-000F	3	5/8	5/32	blank
9300-050F	3	5/8	5/32	1/2
9300-100F	3	5/8	5/32	1
9300-125F	3	5/8	5/32	1-1/4
9300-137F	3	5/8	5/32	1-3/8
9300-150F	3	5/8	5/32	1-1/2
9300-162F	3	5/8	5/32	1-5/8
9300-175F	3	5/8	5/32	1-3/4
9300-187F	3	5/8	5/32	1-7/8
9312-100F	3-1/8	5/8	5/32	1
9325-000F	3-1/4	5/8	5/32	blank
9325-037F	3-1/4	5/8	5/32	3/8
9325-050F	3-1/4	5/8	5/32	1/2
9325-100F	3-1/4	5/8	5/32	1



FI 669F / FABF CUPS95 @G

CUPS95 @G

Part Number	Bore	Lip Ht.	Thick-ness	Hole Size
9337-037F	3-3/8	5/8	5/32	3/8
9350-000F	3-1/2	5/8	5/32	blank
9350-025F	3-1/2	5/8	5/32	1/4
9350-050F	3-1/2	5/8	5/32	1/2
9350-100F	3-1/2	5/8	5/32	1
9350-125F	3-1/2	5/8	5/32	1-1/4
9350-150F	3-1/2	5/8	5/32	1-1/2
9350-187F	3-1/2	5/8	5/32	1-7/8
9350-200F	3-1/2	5/8	5/32	2
9350-237F	3-1/2	5/8	5/32	2-3/8
9362-000F	3-5/8	5/8	5/32	blank
9375-000F	3-3/4	5/8	5/32	blank
9375-050F	3-3/4	5/8	5/32	1/2
9375-075F	3-3/4	5/8	5/32	3/4
9387-000F	3-7/8	5/8	5/32	blank
9400-000F	4	5/8	5/32	blank
9400-050F	4	5/8	5/32	1/2
9400-150F	4	5/8	5/32	1-1/2
9400-162F	4	5/8	5/32	1-5/8
9400-175F	4	5/8	5/32	1-3/4
9400-187F	4	5/8	5/32	1-7/8
9400-200F	4	5/8	5/32	2
9400-225F	4	5/8	5/32	2-1/4
9400-250F	4	5/8	5/32	2-1/2
9425-000F	4-1/4	5/8	5/32	blank
9425-137F	4-1/4	5/8	5/32	1-3/8
9450-000F	4-1/2	5/8	5/32	blank
9450-075F	4-1/2	5/8	5/32	3/4
9450-187F	4-1/2	5/8	5/32	1-7/8
9450-225F	4-1/2	5/8	5/32	2-1/4
9450-250F	4-1/2	5/8	5/32	2-1/2
9475-000F	4-3/4	5/8	5/32	blank
9475-050F	4-3/4	5/8	5/32	1/2
9500-000F	5	3/4	3/16	blank
9500-100F	5	3/4	3/16	1

Part Number	Bore	Lip Ht.	Thick-ness	Hole Size
9500-125F	5	3/4	3/16	1-1/4
9500-250F	5	3/4	3/16	2-1/2
9525-050F	5-1/4	3/4	3/16	1/2
9550-000F	5-1/2	3/4	3/16	blank
9550-125F	5-1/2	3/4	3/16	1-1/4
9550-200F	5-1/2	3/4	3/16	2
9575-000F	5-3/4	3/4	3/16	blank
9600-000F	6	3/4	3/16	blank
9600-050F	6	3/4	3/16	1/2
9600-200F	6	3/4	3/16	2
9600-250F	6	3/4	3/16	2-1/2
9600-350F	6	3/4	3/16	3-1/2
9625-375F	6-1/4	3/4	3/16	3-3/4
9650-000F	6-1/2	3/4	3/16	blank
9675-000F	6-3/4	3/4	3/16	blank
9700-000F	7	3/4	3/16	blank
9700-125F	7	3/4	3/16	1-1/4
9700-200F	7	3/4	3/16	2
9700-400F	7	3/4	3/16	4
9725-162F	7-1/4	3/4	3/16	1-5/8
9800-000F	8	1	3/16	blank
9800-100F	8	1	3/16	1
9800-125F	8	1	3/16	1-1/4
9850-075F	8-1/2	1	3/16	3/4
9900-000F	9	1	3/16	blank
91000-100F	10	1	3/16	1
91200-000F	12	1	3/16	blank

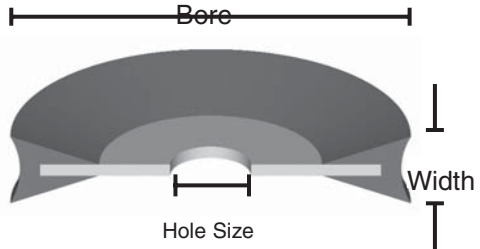
NOTE:

These cups are specially sized for use in EDBRO Cylinders.

9200-062ED	2	7/8	7/32	5/8
9262-087ED	2-5/8	7/8	7/32	7/8
9325-100ED	3-1/4	7/8	7/32	1
9387-112ED	3-7/8	7/8	7/32	1-1/8
9475-125ED	4-3/4	7/8	7/32	1-1/4
9575-150ED	5-3/4	7/8	7/32	1-1/2

DOUBLE ACTING CUPS95 @G

This complete piston cup with a simple, one-piece construction serves the same purpose as a multi-assembly unit and is more economical with easy maintenance, dependability and long life. The unique piston cup consists of homogeneous rubber bonded to a zinc coated steel plate. The center hole may be enlarged to accommodate larger piston rods. Recommended for pneumatic and low-pressure hydraulic applications.



71 DSEAL INFORMATION

MATERIAL	RUBBER LIP, ZINC COATED STEEL PLATE
TEMPERATURE RANGE	-40° TO +220° F
PRESSURE RANGE	0 TO 800 PSI
PART NUMBER	(Prefix) - (Bore Size)

Part Number	Bore	Hole Size	Width	
DAPC-100	1	1/4	3/8	
DAPC-125	1-1/4	1/4	1/2	
DAPC-137	1-3/8	1/4	1/2	
DAPC-150	1-1/2	1/4	1/2	
DAPC-175	1-3/4	1/4	1/2	
DAPC-200	2	3/8	9/16	
DAPC-225	2-1/4	3/8	9/16	
DAPC-250	2-1/2	3/8	9/16	
DAPC-300	3	1/2	9/16	
DAPC-325	3-1/4	1/2	9/16	
DAPC-350	3-1/2	1/2	3/4	
DAPC-400	4	1/2	3/4	
DAPC-500	5	3/4	15/16	
DAPC-600	6	3/4	15/16	
DAPC-800	8	3/4	1	